

# Artisan™

Professional Grills by Alfresco®





# contents

- 04 Intro
- 05 Features
- 10 Professional Grills
- 18 American Eagle Series
- 24 Pizza Oven
- 26 Power Burner
- 28 Side Burners
- 29 Refrigeration
- 31 Island Accessories



## Your ultimate outdoor kitchen may be more affordable than you think.

Choosing an outdoor kitchen is a delicate balancing act. When comparing premium American-made brands at hefty prices with cheaper (and much lower quality) imports, your choice can often look like a compromise from every angle. At Artisan, we invite you to experience a new equilibrium where you can have it all.

Our years of experience building equipment for some of the finest restaurants in our state-of-the-art manufacturing facility has allowed us to redefine the concept of an investment piece: uncompromising excellence, remarkable features, and a price tag that defies expectations.

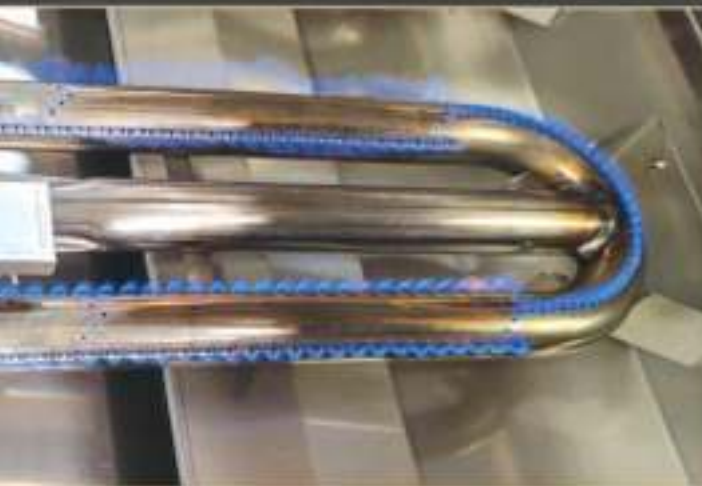
# How do Artisan Professional Grills by Alfresco compare with the others?

Quality materials, refined construction, and meticulous craftsmanship make Artisan Professional Grills tough enough to withstand the rigors of living outdoors. With a keen eye for affordable innovations, we have crafted a grill that includes unique features not found in comparable outdoor appliance brands.

## Artisan's Exclusive Heat Delivery System

Heavy-duty 304 18-8 stainless steel burners create evenly distributed extreme high heat to the cooking surface.

- 304 Series stainless steel "U" burners with dual rows of clean and efficient combusting double-lanced ports on three sides
- Best-in-class warranty
- Specify LP or Natural Gas when ordering



### Made in the U.S.A

Made from commercial-grade 304 18-8 stainless steel with durable heli-arc and welded seams.



### Precision Flame Control

Artisan's ergonomic grill knobs and brass valves are designed for precision control.



### Refractive Locked-in-Place Ceramic 5-way Heat Distributing Briquettes

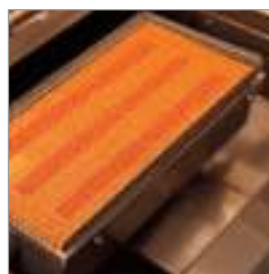
A special pyramid shape delivers intense even heat to the cooking surface. Radiant tray locks briquettes in place. Turn tray over and fire burners on high with lid closed to self-clean.



### Sear Zone™ Infrared Burner

Optional interchangeable high-intensity infrared burner with a 100% combusting ceramic surface for intense even heat and authentic steakhouse results. Cooks 50% faster with virtually no flare-ups.

**Sear Zone™ Burner Model:** ART-ISB.  
**Grate for Sear Zone™ Model:** ASZG.



### Stainless Steel Switches

Stainless steel push-buttons for ignition and lighting are ergonomically integrated into the front cover panel.



### Control Panel Lighting

Ambient blue LED front panel lighting illuminates knobs, creating a rich beam of light exactly where you need it. *(Professional Series only).*



### Hood Lift Assist

Heavy-duty stainless steel spring assist makes for a smooth one-finger open and close of the grill hood.



### Flush Rear Infrared Rotisserie Burner

32", 36", and 42" model grills come with a flush-mounted high-intensity rear ceramic infrared rotisserie burner. 50 pound capacity and 10" clearance. *(Professional Series only).*



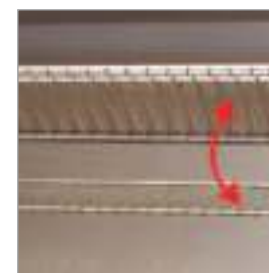
### Stainless Steel Cooking Grates

Heavy-duty stainless steel cooking grates with a special non-stick electro-polished finish are positioned over briquette and "U" burner sections.



### Adjustable Food Warming and Grilling Rack

Two-position adjustable warming rack stores up and out of the way when rotissing. Ideal for above-grilling surface holding and cooking.



### Halogen Work Lights

Two integrated high-intensity halogen work lights on 32", 36", and 42" models. Light lens is easily removable without the use of tools. *(Professional Series only).*



### Integrated Thermometer

Standard on every Artisan Grill, this convenient thermometer is built into the hood for accurate oven roasting temperatures.



### Exclusive Heat Protected Wiring

Electrical wires are each encapsulated their full length with a 600° heat-resistant silicone sleeve, and all electric connectors are protected with a silicone boot made of the same heat-resistant silicone.



6

### Exclusive Control Panel Air-Cooling Curtain

A special air-cooling plenum blasts a curtain of cool air that flows up between the front control panel and firebox, keeping the front panel and bullnose safe to the touch. This also assists in protecting the electronics.



### Heavy-duty 50-lb. Torque Rotisserie Motor

Connects to either end of the rotisserie spit turning foods smoothly and consistently. *(Optional on American Eagle Series).*





## Artisan Professional Grills

by Alfresco



42



### 42" Professional Series

- Three 304 Series stainless steel main U-burners
- Powerful infrared rear rotisserie burner
- Up to 91,700 BTUs
- Total grilling area: 966 sq. in. (Calculation includes warming rack)
- 110V electronic ignition
- Bright halogen work lights
- 2-position warming rack
- Fold-down side shelves (Cart Model)
- Seamless door design with double magnets on cart doors
- Optional Sear Zone™ available
- Optional Sear Grate available
- Optional Grill Cover ART-42CV (Built-in), ART-42CVC (Cart)

**Models:** ARTP-42 (Built-in) and ARTP-42C (Cart Model).  
Cart Model ships fully assembled.

## Artisan Professional Grills

by Alfresco



36



12

### 36" Professional Series

- Three 304 Series stainless steel main U-burners
- Powerful infrared rear rotisserie burner
- Up to 71,400 BTUs
- Total grilling area: 817 sq. in. (Calculation includes warming rack)
- 110V electronic ignition
- Bright halogen work lights
- 2-position warming rack
- Fold-down side shelves (Cart Model)
- Seamless door design with double magnets on cart doors
- Optional Sear Zone™ available
- Optional Sear Grate available
- Optional Grill Cover ART-36CV (Built-in), ART-36CVC (Cart)

**Models:** ARTP-36 (Built-in) and ARTP-36C (Cart Model).  
Cart Model ships fully assembled.

## Artisan Professional Grills

by Alfresco



32



14

### 32" Professional Series

- Three 304 Series stainless steel main U-burners
- Powerful infrared rear rotisserie burner
- Up to 69,000 BTUs
- Total grilling area: 718 sq. in. (Calculation includes warming rack)
- 110V electronic ignition
- Bright halogen work lights
- 2-position warming rack
- Fold-down side shelves (Cart Model)
- Seamless door design with double magnets on cart doors
- Optional Sear Zone™ available
- Optional Sear Grate available
- Optional Grill Cover ART-32CV (Built-in), ART-32CVC (Cart)

**Models:** ARTP-32 (Built-in) and ARTP-32C (Cart Model).  
Cart Model ships fully assembled.



## Artisan American Eagle Grills *by Alfresco*

American Eagle is our most affordable grill line incorporating all the features of the Artisan Professional Series, less the rear IR burner, motor, and lights.



# 36



18

### 36" American Eagle Series

- Three 304 Series stainless steel main U-burners
- Up to 56,400 BTUs
- Total grilling area: 817 sq. in. (Calculation includes warming rack)
- 9V electronic ignition
- Two-position warming rack
- Fold-down side shelves (Cart Model)
- Optional: Rotis Accessory ART-ROT36 (includes motor, spit, and forks only)
- Seamless door design with double magnets on cart doors
- Double magnets on cart doors
- Optional Sear Zone™ available
- Optional Sear Grate available
- Optional Grill Cover ART-36CV (Built-in), ART-36CVC (Cart)

**Models:** AAEP-36 (Built-in) and AAEP-36C (Cart Model).  
Cart Model ships fully assembled.

## Artisan American Eagle Grills *by Alfresco*



32



20

### 32" American Eagle Series

- Three 304 Series stainless steel main U-burners
- Up to 54,000 BTUs
- Total grilling area: 718 sq. in. (Calculation includes warming rack)
- 9V electronic ignition
- Two-position warming rack
- Optional: Rotis Accessory ART-ROT32 (includes motor, spit, and forks only)
- Fold-down side shelves (Cart Model)
- Seamless door design with double magnets on cart doors
- Optional Sear Zone™ available
- Optional Sear Grate available
- Optional Grill Cover ART-32CV (Built-in), ART-32CVC (Cart)

**Models:** AAEP-32 (Built-in) and AAEP-32C (Cart Model).  
Cart Model ships fully assembled.

## Artisan American Eagle Grills by Alfresco



26



### 26" American Eagle Series

- Two 304 Series stainless steel main U-burners
- Up to 37,600 BTUs
- Total grilling area: 570 sq. in. (Calculation includes warming rack)
- 9V electronic ignition
- Two-position warming rack
- Fold-down side shelves (Cart Model)
- Seamless door design with double magnets on cart doors
- Optional: Rotis Accessory ART-ROT26 (includes motor, spit, and forks only)
- Optional Sear Zone™ available
- Optional Sear Grate available
- Optional Grill Cover ART-26CV (Built-in), ART-26CVC (Cart)

**Models:** AAEP-26 (Built-in) and AAEP-26C (Cart Model).  
Cart Model ships fully assembled.



*“Cookery is a wholly unselfish art; All good cooks, like all great artists, must have an audience worth cooking for.”*

~ André Simon



## Pizza Oven



### Pizza Oven Cart

Our sturdy Pizza Oven Cart creates mobility for your pizza oven when counter space is at a premium. AXE-PZA-CART-01.



### Pizza Oven Cover

Protect your investment from the elements when you're not cooking with Artisan's premium high-density canvas pizza oven cover with embroidered logo. ARTP-PZACV.

- Flexible, controllable temperature options allow users to roast, bake, iron-skillet sear, and of course, cook perfect Neapolitan pizzas
- All 304 18-8 heli-arc welded stainless steel
- 7" high front opening
- Up to 37,000 BTUs
- 447 sq. in. of cooking space
- Fast preheat times
- Removable sit-in-place stainless steel front oven door
- 3/4 thick high-quality ceramic slab hearth and ceiling for even intense radiating heat
- 304 Series stainless steel U-burner
- Rear burner accelerates preheat time by distributing heat up to the ceramic ceiling slab for powerful top-down heat
- Natural air-cooling plenum keeps control panel cool to the touch
- Countertop installation with rear exhaust
- Removable top
- Halogen oven light
- Hot-surface ignition system
- Heat-protected silicone-sleeved wiring

**Model:** ARTP-PZA.

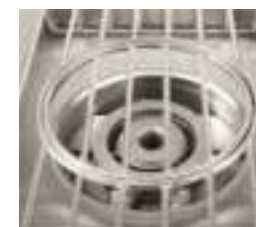


*“The preparation of good food is merely another expression of art,  
one of the joys of civilized living...”*

~ Dione Lucas



## 18" Power Burner



### Removable Grate

Heavy-duty grate set handles the smallest of sauce pans and up to an 80-quart stock pot.



### Optional Griddle

Model: ARTP-G18.

- The Artisan Power Burner is a premium cooking complement to your Artisan outdoor kitchen
- Dual burner with independent controls
- Up to 55,000 BTU stainless steel burner set
- Removable interior grate allows for easy wok cooking
- Electronic ignition
- Recessed top with stainless steel cover
- Ranges from simmering delicate sauces to a powerful boil
- 304 stainless steel construction for long life and easy maintenance

**Model:** ARTP-18PB.



## Side Burners

### Double Side Burner

- Premium cooking complement to your Artisan Grill
- Two powerful brass burners
- Electronic ignition
- Recessed top
- Stainless steel cover

### Single Side Burner

- Simple drop-in installation for your island
- Optional side shelf accessory for use with freestanding grill
- Powerful brass burner
- AA battery powered ignition
- Hinged stainless steel cover

### Models:

Dual Side Burner: ARTP-SB2.

Cart Model for ARTP-SB2: ARTPC-SB2M-01.

Single Side Burner: ART-SB1.

Cart Model for ART-SB1: ARTPC-SBM-01.



Single Side Burner

### Photo on Left:

Side Burner Griddle Top.  
(Sold separately).



## 24" Under-Counter Refrigerator

- Outdoor rated; UL certified; DOE certified
- Artisan Professional handle
- Exterior constructed with 304 stainless steel
- Front bottom ventilation for freestanding or built-in applications
- Graphite interior with interior LED lighting
- Digital thermostat for precision temperature control
- Automatic defrost with temperature range 34-54 F
- Stainless steel shelving with locking door
- 5.5 cubic foot capacity
- Door swing non-reversible (Specify when ordering)
- Imported

**Models:** ART-BC24 and ART-BC24-Kit.  
(Handle and Logo Kit is ordered separately).



## Insulated Ice Bin

- Keep it cool longer with premium seals and commercial insulation
- Extra deep drop-in ice bin features and innovative industrial strength hinge, allowing for easy top-lid removal
- Drain and plug included

**Model:** ARTP-IC.



## Artisan Island Accessories



### Sear Zone™ Burner

Optional interchangeable infrared burner for high heat searing.

**Sear Zone™ Burner Model:** ART-ISB.

**Sear Zone™ Grate:** ASZG.



### Griddle Top

Easily nests on top of any Artisan Grill or Artisan Double Side Burner giving you even more cooking versatility.

**Model:** ARTP-G.



### Wind Guard

For windy, exposed environments that may affect cooking performance and consistency. Our all-stainless steel wind guards integrate with both built-in and freestanding Artisan grills.

**Models:** ARTP-26WS, ARTP-32WS, ARTP-36WS, and ARTP-42WS.



### Insulated Jacket

Protects against heat that could be dangerous to combustible materials.

**Models:** ARTIJ-26, ARTIJ-32, ARTIJ-36, and ARTIJ-42.

## Access Doors and Drawers

Artisan Access Doors and Drawers are made of 304 stainless steel exteriors for long life, easy maintenance, and a perfect match to your grill. Doors feature magnetic closures and an optional interior shelf. Drawers feature full-length soft-close ball bearing slides.

**Models:** ARTP-DR-24SC - Holds large pots and woks. Designed compatibility with the Artisan Power Burner.

ARTP-DDC-32SC - 32" Door and Drawers.  
 ARTP-DDC-36SC - 36" Door and Drawers.  
 ARTP - 2DR - 17SC - 17" Two Drawer Set.  
 ARTP - 3DR - 17SC - 17" Three Drawer Set.  
 ARTP - 17DR - 17" Single Right Door.  
 ARTP - 17DL - 17" Single Left Door.  
 ARTP - 26DR - 26" Single Right Door.  
 ARTP - 26DL - 26" Single Left Door.  
 ARTP - 30DD - 30" Double Doors.  
 ARTP - 32DD - 32" Double Doors.  
 ARTP - 36DD - 36" Double Doors.  
 ARTP - 42DD - 42" Double Doors.



## Optional Interior Door Bins

*(Sold Individually)*

**For Single Door Models:**

ARTP-DS17 - 17" Bin (X1).

ARTP-DS26 - 26" Bin (X1).

**For Double Door Models:**

ARTP-DS17 - 17" Bin for ARTP-30DD (X2).

ARTP-DS32 - 32" Bin for ARTP-32DD (X2).

ARTP-DS36 - 36" Bin for ARTP-36DD (X2).

ARTP-DS42 - 42" Bin for ARTP-42DD (X2).



Add this optional shelf to any Artisan access door for added storage.

# Artisan Island Accessories

## Trash Center and Chute

The most convenient way to deal with waste in your outdoor kitchen. Trash Center features full-length soft-close ball bearing slides and holds a standard 10-gallon trash bin (*not included*). Waste chute mounts in countertop above for easy access to trash bin below and features a sliding cutting board.

- Single Model:** ARTP-TC-15SC.
- Double Model:** ARTP-TC2-20SC.
- Chute Model:** ARTP-PWC.



## 18" Island LP Tank Drawer

Designed to fit standard LP Tanks, this 304 stainless steel tank drawer employs full-length "soft close" ball bearing slides.

**Model:** ARTP-18-LPTDR-SC.

## Paper Towel Dispenser

Pivoting front door design conveniently holds and dispenses paper towels.

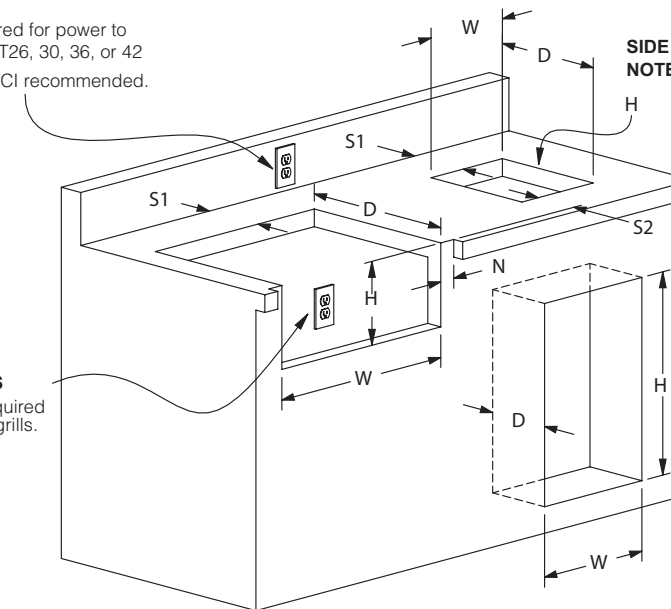
**Model:** ARTP-TH-17.



# Specifications and Cutouts

Countertop outlet required for power to rotisserie units ART-ROT26, 30, 36, or 42  
**POWER:** 115 VAC - GFCI recommended.

**GRILLS AND INSULATED JACKETS**  
 Undercounter outlet required for grill lights on ARTP grills.  
 GFCI recommended.



**SIDE BURNER, TRASH CHUTE, AND ICE BIN**  
**NOTE:** H is height of item from the countertop surface.

**S2** measurement is meant to align the chute with trash bin, and it is measured from the cabinet face, not from the bullnose.

**DOORS, DRAWERS, TRASH CENTER AND REFRIGERATOR**  
 Refrigerator H distance is measured from the floor level.

MODEL	CUTOUT DIMENSIONS			NOTCH N	SETBACKS		POWER ① AMPS	GAS LINE
	W	D	H		S1 (MIN.)	S2		
AAEP-26	24-1/2"	19-3/4"	9-1/2"	7/8"	5-3/4"	~		③
ARTP / AAEP-32	30-1/2"	19-3/4"	9-1/2"	7/8"	5-3/4"	~	0.71 ②	③
ARTP / AAEP-36	34-1/2"	19-3/4"	9-1/2"	7/8"	5-3/4"	~	0.71 ②	③
ARTP-42	40-1/2"	19-3/4"	9-1/2"	7/8"	5-3/4"	~	0.71 ②	③
ARTIJ-26	27-1/4"	23-5/8"	10-1/4"	7/8"	1-5/8"	~		④
ARTIJ-32	33-1/4"	23-5/8"	10-1/4"	7/8"	1-5/8"	~	④	④
ARTIJ-36	37-1/4"	23-5/8"	10-1/4"	7/8"	1-5/8"	~	④	④
ARTIJ-42	43-1/4"	23-5/8"	10-1/4"	7/8"	1-5/8"	~	④	④
ART-SB1	11"	15"	3-1/8"	~	6"	~		⑤
ARTP-SB2	12-3/8"	22-3/8"	9-1/4"	7/8"	4-1/4"	~	0.01 ⑥	③
ARTP-17DL / -17DR	13-7/8"	~	18-1/2"	~	~	~		
ARTP-26DL / -26DR	23-3/8"	~	18-1/2"	~	~	~		
ARTP-30DD	27-1/4"	~	18-1/2"	~	~	~		
ARTP-32DD	29-3/8"	~	18-1/2"	~	~	~		
ARTP-36DD	33-3/8"	~	18-1/2"	~	~	~		
ARTP-42DD	39-3/8"	~	18-1/2"	~	~	~		
ARTP-DDC-32SC	29-1/2"	19-3/4"	18-1/2"	~	~	~		
ARTP-DDC-36SC	33-1/2"	19-3/4"	18-1/2"	~	~	~		
ARTP-2DR-17SC	14-1/2"	19-3/4"	18-1/2"	~	~	~		
ARTP-3DR-17SC	14-1/2"	19-3/4"	18-1/2"	~	~	~		
ARTP-TC-15SC	12-1/2"	19"	26-1/4"	~	~	~		
ARTP-TC2-20SC	17-1/4"	24-7/8"	26-1/4"	~	~	~		
ARTP-PWC	6-1/4"	8-1/4"	3-5/8"	~	~	4-5/8"		
ARTP-TH-17	14-1/2"	8-3/4"	8-1/2"	~	~	~		
ARTP-IC	22-1/4"	16-3/4"	17-5/8"	~	~	~		
ART-BC24	24"	22-3/4"	32-3/4"	~	~	~	2.0	
ARTP-18PB	16-1/2"	22-3/8"	9-1/4"	7/8"	~	~	0.01 ⑥	③
ARTP-DR-24SC	21-1/2"	24-1/4"	14"	~	~	~		
ARTP-18LPTDR-SC	15-1/4"	19-3/8"	21-3/8"	~	~	~		

**NOTE ①:** All power supplies shown are 115 VAC - 1Ø - 3W - 60 Hz.

**NOTE ②:** Power requirements for ARTP-32, 36, AND 42 include light and rotisserie power together. AAEP BBQ's use a 9-V DC ignition and do not have lights.

**NOTE ③:** All gas line requirements are as follows:  
 NG: 1/2" NPT WITH 4" W.C. (Hard-piped or flex connection)  
 LP: 3/8" ODF WITH 10" W.C. (For portable tanks)  
 LP: 1/2" NPT WITH 10" W.C. (Hard-piped or flex connection for whole house residential LP systems)

**NOTE ④:** Insulated jackets ARTIJ-26 / 32 / 36 AND 42 do not require power and/or gas lines by themselves. Only the grills they are meant to insulate require them.

**NOTE ⑤:** ART-SB1 gas line is 3/8" OD, and it is connected to the existing grill with the supplied gas fittings.

**NOTE ⑥:** 115 VAC used for ignition and front panel accent lights only.



# Artisan

Professional Grills by Allreco

Made in the U.S.A. by Superior Equipment Solutions  
1085 Bixby Drive  
City of Industry, CA 91745-1704  
Toll-Free: 888.383.8800 International: 323.722.7900  
Service: (866) 203-5607 Fax: 323.726.4700  
[www.artisangrills.com](http://www.artisangrills.com)

©2023 Superior Equipment Solutions  
Catalog Design: fusionmarketing.com  
Rev. 08.2023

Find us on    