



2025 COLLECTION



Proudly Made in America

WHO WE ARE

American Made Grills was born out of a passion to craft inspired products that tell a story and animate the backyard, and we stand by our promise to create immersive, luxury experiences to share with friends and family.

We pride ourselves in using only the best materials, and our commitment to quality is reflected in the craftsmanship of the entire American Made Grills line. Our core focus is to provide exceptional customer service backed by the best warranty in the industry.

FEATURED

36" MUSCLE FREESTANDING GRILL





*Hand Crafted
in America*

TABLE OF CONTENTS

HYBRID GRILLS	08
ESTATE GRILL	18
ATLAS GRILL	32
POWER & SIDE BURNERS	42
GRILL CARTS	44
REFRIGERATION	46
ACCESSORIES	52
PRODUCT DIMENSIONS	59
WARRANTY	61



FEATURED

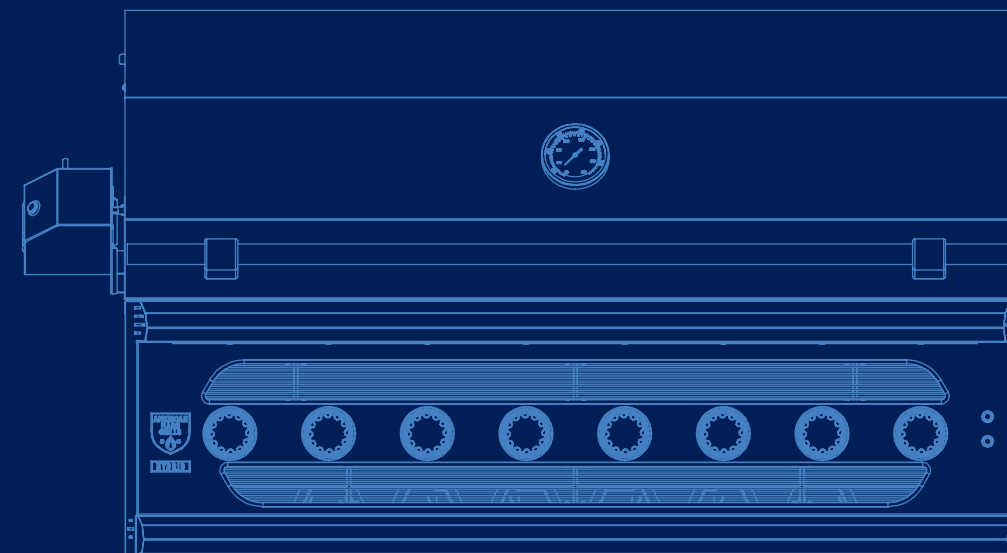
54" ENCORE FREESTANDING GRILL

HYBRID

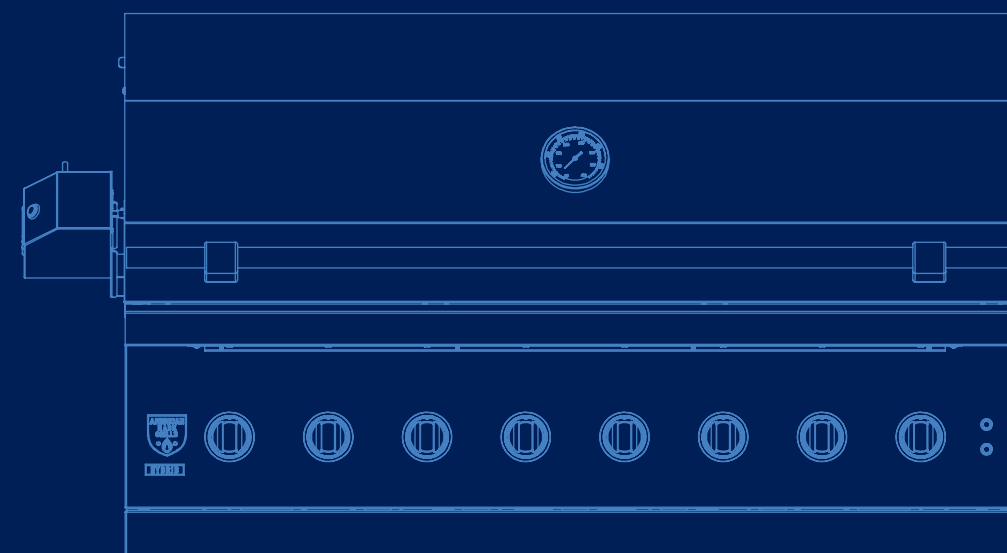
Hybrid Series

Welcome to the future of grilling, American-made. The Hybrid Grill Series redefines the boundaries of backyard cuisine with the versatility to burn gas, charcoal, hardwood, and more. The Muscle and Encore are two handcrafted designs of the same masterpiece, both available in built-in or freestanding formats. They come with a variety of storage accessories and matching power burners.

Whether a freestanding cart or the built-in centerpiece of an outdoor kitchen, these luxury powerhouses will be the envy of all. There has never been a grill like it, nor has there ever been a cooking experience available to match.



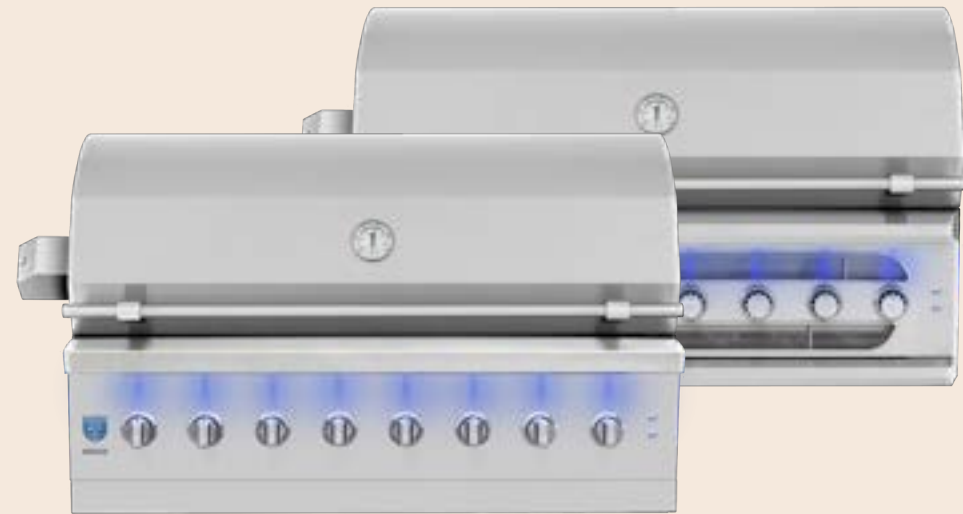
MUSCLE



ENCORE



HYBRID GRILLS



MORE FUEL, MORE FLAVOR

Maximum versatility, peak performance, and endless possibilities - the evolution of the modern grill is yours to ignite with the American Made Grills Hybrid Grill Series. The numbers on our gas-powered, wood-burning champions check out: more fuels mean more flavor.

Make dinner menu magic with a Multi-Fuel Tray System that burns charcoal, wood chunks, chips, and more. Enjoy superior American craftsmanship and a lifetime warranty that ensures it's the last grill you'll ever need.

Build one into the outdoor kitchen island of your dreams, or tie the patio together with a freestanding model. Either way, after one turn of a 22,000 BTU main burner, there's no turning back.



FEATURED 54" ENCORE FREESTANDING GRILL

MUSCLE GRILL



MUS36

MUS54

ENCORE GRILL



ENC36

ENC54



MUSCLE GRILL

ENCORE GRILL

#304 STAINLESS STEEL FULL-WIDTH HOOD HANDLE

#304 STAINLESS STEEL CONSTRUCTION



ADJUSTABLE HOOD VENTS FOR HEAT CONTROL



GRATE LIFTING TOOLS FOR EASY FUEL RELOADING

LED LIGHTS OVER EACH KNOB

#304 HEAT ZONE SEPARATORS



EASY-CLEAN DRIP PAN W/ DRAIN SYSTEM



US MADE TEMP GAUGE

16-GAUGE DOUBLE-LINED HOOD W/ SPRING ASSIST

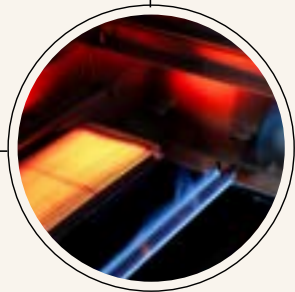
INTERIOR HALOGEN LIGHTS

HEAVY-DUTY ROTISSERIE KIT W/ SPIT STORAGE



REVERSIBLE #304 9-GAUGE V-SHAPED COOKING GRATES

DROP-IN IR SEAR BURNER



22,000 BTU MAIN BURNERS



FLAME THROWER IGNITION

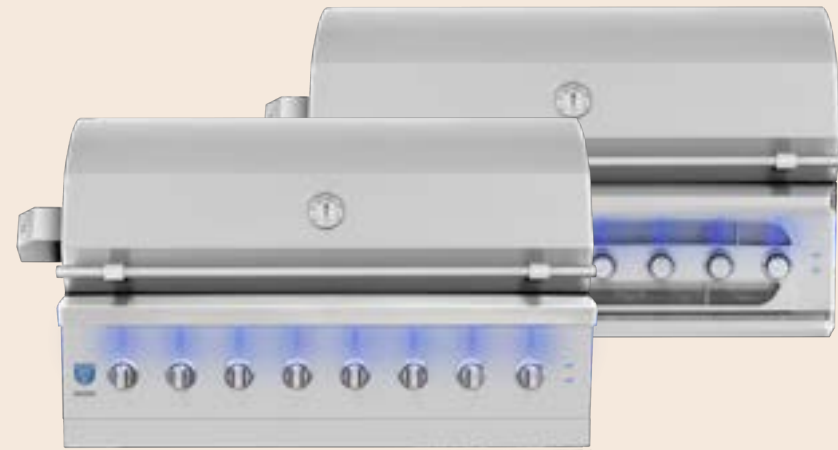


PATENTED #304 14-GAUGE FUEL TRAYS

HYBRID, SOLID-FUEL CAPABILITY



AMG HYBRIDS



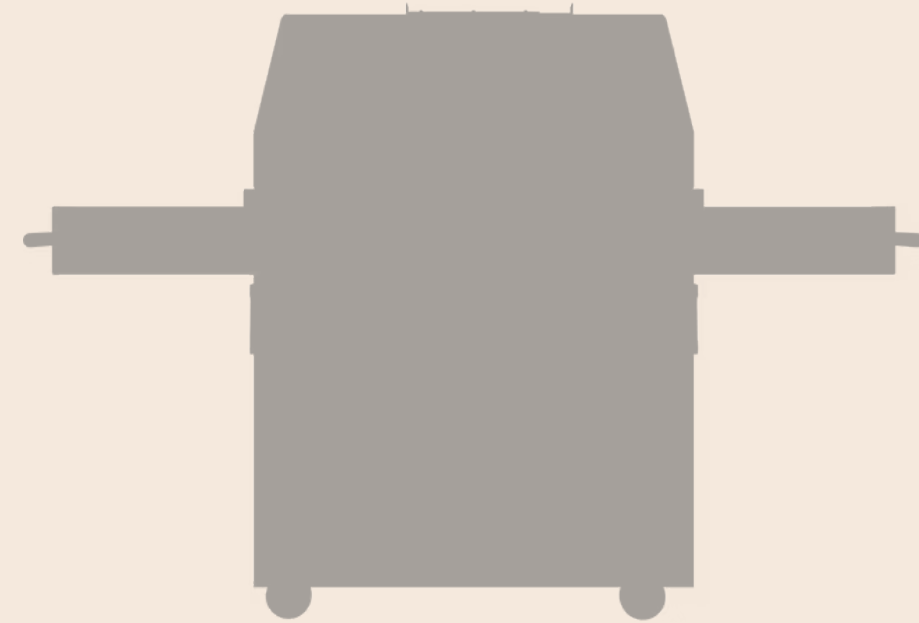
PRICE: \$9,650.00 [36" BUILT-IN]

FEATURES:

IGNITION	Solid Brass, Flame Thrower Valve Ignition
BURNERS	Five (5) 14-Gauge #304 Stainless Steel Burners at 22,000 BTUs each
TOTAL BTU'S	110,000 (NG)
MATERIAL	#304 Stainless Steel
COOKING SURFACE	1,106 sq. in.
LIGHTING	Control Panel and Interior Lighting
WARMING RACK	Flip-up Warming Rack
ROTISSERIE	Rotisserie Kit with 100lb Motor & Built-In Spit Storage

WARRANTY: GOLD STANDARD LIFETIME WARRANTY

OTHER HYBRID



PRICE: STARTING AT \$21,995

FEATURES:

IGNITION	Electronic Hot Surface Ignition
BURNERS	Three (3) Cast Stainless Steel Dragon Burners at 26,500 BTUs each
TOTAL BTU'S	92,500 (NG)
MATERIAL	#304 Stainless Steel
COOKING SURFACE	726 sq. in.
LIGHTING	Control Panel
WARMING RACK	Flip-up Warming Rack
ROTISSERIE	Rotisserie Motor Mounted in Cabinet, Infrared Back Burner Included

WARRANTY: 2 YRS. - ALL PARTS & LABOR, LIMITED 25 YEARS & 5 YEARS

Features:

- »#304 Stainless Steel Construction
- »16-Gauge Double-Lined Hood w/ Spring Assist
- »#304 Stainless Steel Full-Width Hood Handle
- »Adjustable Hood Vents for Heat Control
- »22,000 BTU Main Burners
- »Total BTUS:
 - 36" - 110,000
 - 54" - 176,000
- »Total Cooking Surface Sq In:
 - 36" - 1,106"
 - 54" - 1,687
- »14-Gauge #304 Stainless Steel Burners
- »14-Gauge #304 Burner Covers
- »Patented 14-Gauge Fuel Trays
- »Reversible 9-Gauge V-Shaped Cooking Grates
- »Flame Thrower Ignition
- »Hybrid, Solid-Fuel Capability
- »Interior Halogen Cooking Lights
- »LED Lights Over Each Knob
- »#304 Heat Zone Separators
- »Easy-Clean Drip Pan w/ Drain System
- »Built-In Rotisserie Spit Storage
- »Built-In and Cart Models Available
- »Built, Factory Tested, and Serviced in the USA
- »Tested to the ANSI Z21.58 / CGA 1.6
- »Gold Standard Lifetime Warranty

Included Grill Accessories:

- »Deluxe Vinyl Head Cover
- »100 lb. Capacity Rotisserie Kit
- »Grate Lifting Tools
- »Stainless Steel Griddle Plate
- » 22,000 BTU Drop-In Infrared Sear Burner
- »Leather Glove Set
- »Fuel Kit (Wood + Charcoal)
- »Cleaning Care Kit

Optional Island Add-Ons:

- »Encore Power Burner - ENCPB2
- »Muscle Power Burner - MUSPB2
- »Grill Liner
- »Encore Double Side Burner - ENCSB2
- »Muscle Double Side Burner - MUSSB2



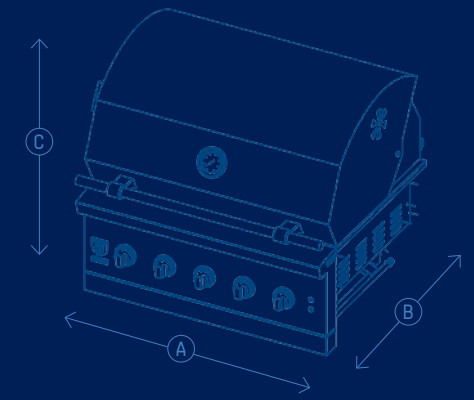
ENCORE 36

OVERALL DIMENSIONS:

- (A) Width: 36.889 inches
- (B) Depth: 33.222 inches
- (C) Height: 32.977 inches

CUTOUT DIMENSIONS:

- (A) Width: 35 inches
- (B) Depth: 25 inches
- (C) Height: 15 inches



ENCORE 54

OVERALL DIMENSIONS:

- (A) Width: 54.739 inches
- (B) Depth: 33.234 inches
- (C) Height: 32.984 inches

CUTOUT DIMENSIONS:

- (A) Width: 53.25 inches
- (B) Depth: 25 inches
- (C) Height: 15 inches



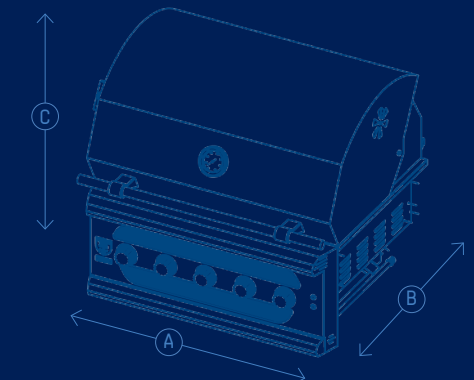
MUSCLE 36

OVERALL DIMENSIONS:

- (A) Width: 36.889 inches
- (B) Depth: 33.222 inches
- (C) Height: 32.977 inches

CUTOUT DIMENSIONS:

- (A) Width: 35 inches
- (B) Depth: 25 inches
- (C) Height: 15 inches



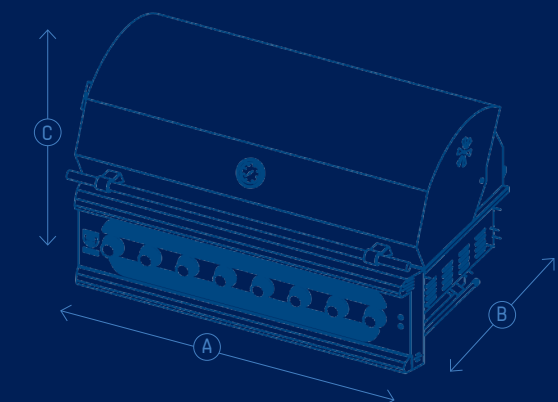
MUSCLE 54

OVERALL DIMENSIONS:

- (A) Width: 54.739 inches
- (B) Depth: 33.234 inches
- (C) Height: 32.984 inches

CUTOUT DIMENSIONS:

- (A) Width: 53.25 inches
- (B) Depth: 25 inches
- (C) Height: 15 inches



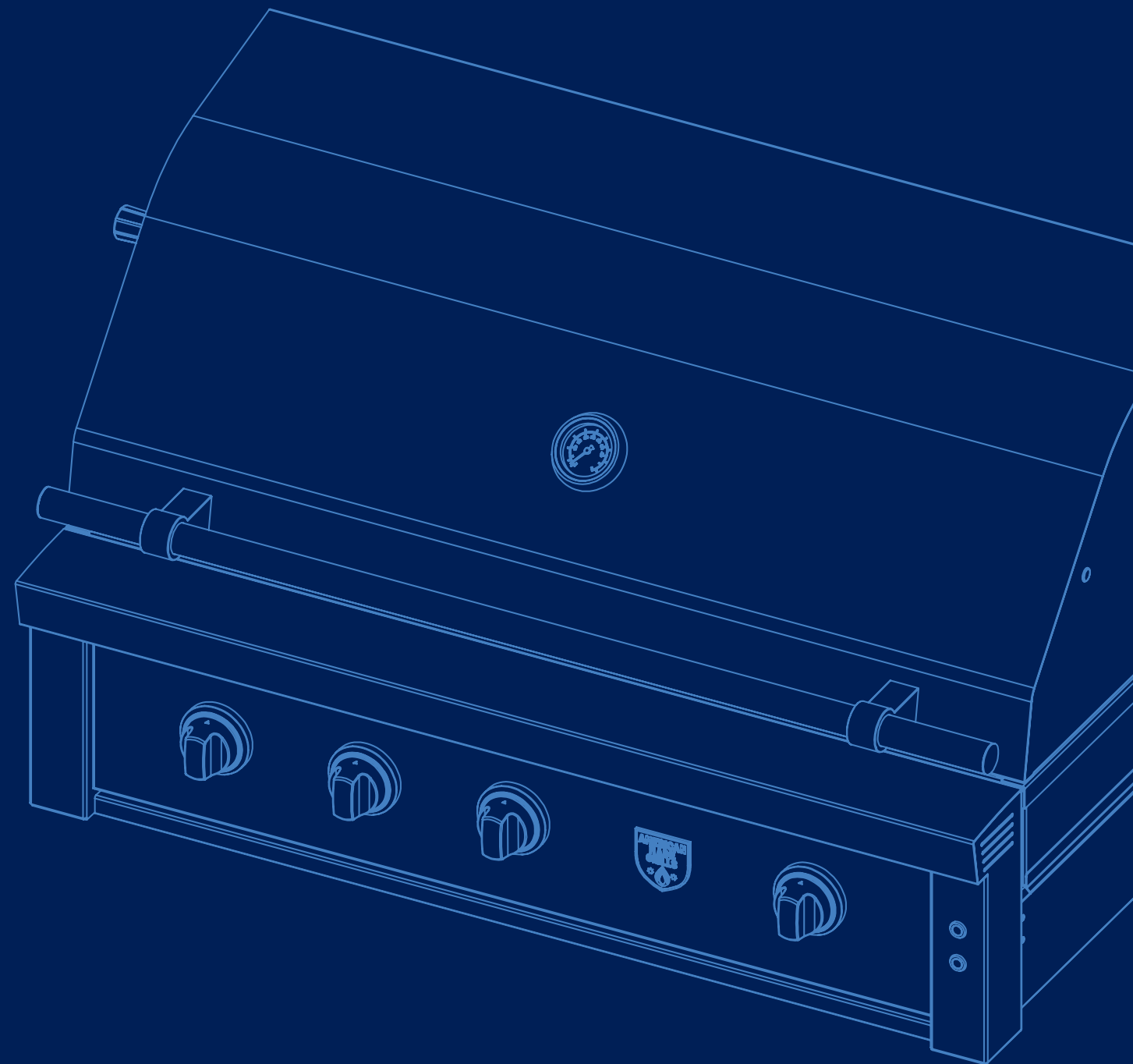
ESTATE

Estate Grills

Born from a legacy of precision engineering and designed for the aficionado of quality, the Estate Series offers a masterclass in finesse and gas grilling. With every opening of its spring-assisted hood and glow from red brass burners, you know it when you feel it.

With matching power and side burners and accessories, and available in built-in or freestanding models, you can create your dream outdoor kitchen with the Estate grill as its captain.

Experience the epitome of American craftsmanship with the Estate Series, where unparalleled performance is not just promised—it's standard.





ESTATE GRILL



FEATURED 42" ESTATE FREESTANDING GRILL



FEATURED 42" ESTATE BUILT-IN GRILL

AMERICAN MADE INGENUITY

The Estate Series is where American craftsmanship and luxury meet high-performance outdoor cooking, crafted for those who demand nothing but the best in their outdoor living adventure. With #304 stainless steel construction and innovative features such as interior halogen lighting, a rotisserie backburner, and 26,000 BTU red brass burners, every detail is designed to enhance your grilling experience.

The Estate Series redefines expectations, providing unparalleled heat distribution and control. Ideal for both the seasoned chef and the enthusiastic home griller, the built-in model allows you to create the perfect outdoor environment, turning it into a custom outdoor kitchen island.



EST30



EST36



EST42



#304 STAINLESS
STEEL FULL-WIDTH
HOOD HANDLE

#304 STAINLESS
STEEL CONSTRUCTION

18-GAUGE
DOUBLE-LINED HOOD
W/ SPRING ASSIST

EASY-CLEAN
BRIQUETTE SYSTEM

HEAT ZONE
SEPARATORS



26,000 BTU RED BRASS
BURNERS

DROP-IN IR SEAR BURNER

LED LIGHTS
OVER EACH KNOB

FLAME THROWER
IGNITION



US MADE
TEMP GAUGE

INTERIOR
HALOGEN LIGHTS

HEAVY-DUTY ROTISSERIE KIT
W/ SPIT STORAGE



HEAVY-DUTY
8MM SQUARE
COOKING GRATES

BUILT-IN AND
CART MODELS AVAIL-
ABLE

Features:

- »#304 Stainless Steel Construction
- »18-Gauge Double-Lined Hood w/ Spring Assist
- »#304 Stainless Steel Full-Width Hood Handle
- »Total BTUs
 - 30" - 64,000 BTU
 - 36" - 90,000 BTU
 - 42" - 90,000 BTU
- »Total Cooking Surface Sq In:
 - 30" - 755"
 - 36" - 920"
 - 42" - 1,083
- »12,000 BTU Infrared Back Burner
- »26,000 BTU Red Brass Burners
- »Heavy-Duty 8mm Square Cooking Grates
- »Flame Thrower Ignition
- »Interior Halogen Cooking Lights
- »LED Lights Over Each knob
- »Heat Zone Separators
- »Easy-Clean Briquette System
- »Built-In Rotisserie Spit Storage
- »Built-In and Cart Models Available
- »Tested to the ANSI Z21.58 / CGA 1.6
- »Built, Factory Tested, and Serviced in the USA
- »Gold Standard Lifetime Warranty

INCLUDED GRILL ACCESSORIES:

- »Red Brass Burners
- » Deluxe Vinyl Grill Cover
- »40 lb. Capacity Rotisserie Kit
- »Stainless Steel Griddle Plate
- » 26,000 BTU Drop-In Infrared Sear Burner
- »Smoker Tray
- »Cleaning Care Kit

OPTIONAL ISLAND ADD-ONS:

- »Estate Double Side Burner - ESTSB2
- »Estate Power Burner - ESTPB2
- »Grill Liner



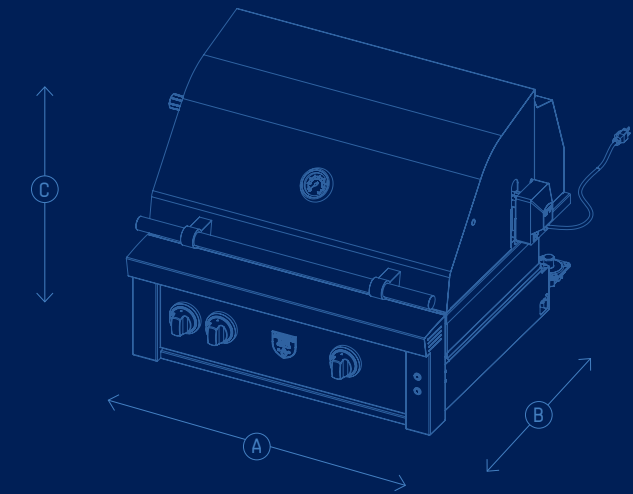
ESTATE 30

OVERALL DIMENSIONS:

- (A) Width: 30 inches
- (B) Depth: 29.61 inches
- (C) Height: 25.45 inches

CUTOUT DIMENSIONS:

- (A) Width: 28.75 inches
- (B) Depth: 21.625 inches
- (C) Height: 10.25 inches



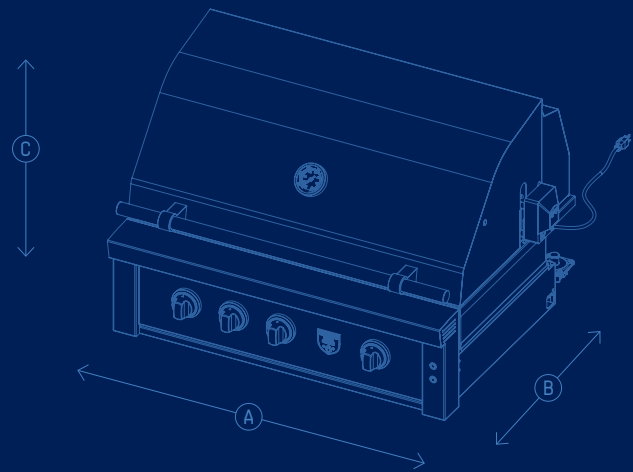
ESTATE 36

OVERALL DIMENSIONS:

- (A) Width: 36 inches
- (B) Depth: 29.61 inches
- (C) Height: 25.45 inches

CUTOUT DIMENSIONS:

- (A) Width: 34.75 inches
- (B) Depth: 21.625 inches
- (C) Height: 10.25 inches



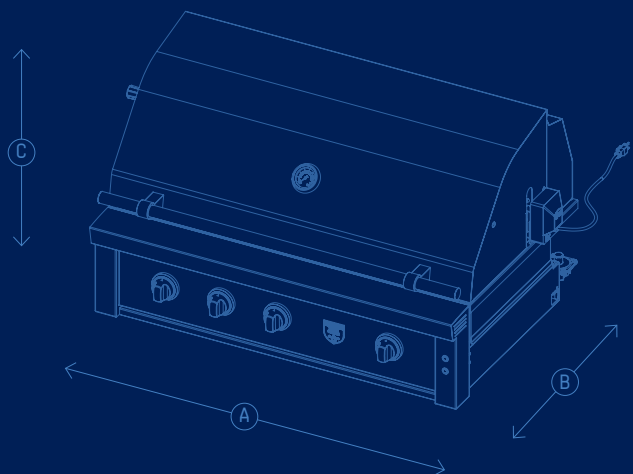
ESTATE 42

OVERALL DIMENSIONS:

- (A) Width: 42 inches
- (B) Depth: 29.61 inches
- (C) Height: 25.45 inches

CUTOUT DIMENSIONS:

- (A) Width: 40.75 inches
- (B) Depth: 21.625 inches
- (C) Height: 10.25 inches





ESTATE GRILL

Freedom



FEATURED 36" ESTATE FREEDOM BUILT-IN GRILL



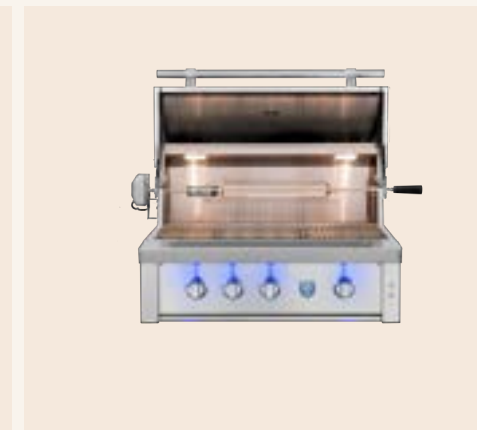
FEATURED 42" ESTATE BUILT-IN GRILL

THE FREEDOM TO CHOOSE

The Estate Freedom Grill is a luxury gas grill series that is designed and built entirely in the USA. Every feature—interior and exterior lighting, spring-assisted hood, rotisserie storage, and more—was crafted with precision to meet the highest quality standards. The built-in model allows you to craft the perfect outdoor environment, building it into a custom outdoor kitchen island with the ability to add premium cooking options.



EST30-FR



EST36-FR *ROTISSERIE IS AN ADD ON



EST42-FR



#304 STAINLESS
STEEL FULL-WIDTH
HOOD HANDLE

#304 STAINLESS
STEEL CONSTRUCTION

18-GAUGE
DOUBLE-LINED HOOD
W/ SPRING ASSIST

EASY-CLEAN
BRIQUETTE SYSTEM

HEAT ZONE
SEPARATORS



6,000 BTU STAINLESS
STEEL U-BURNERS

DROP-IN IR SEAR BURNER
AVAILABLE



US MADE
TEMP GAUGE

INTERIOR
HALOGEN LIGHTS

HEAVY-DUTY ROTISSERIE KIT
W/ SPIT STORAGE AVAILABLE
AS AN ADD ON



HEAVY-DUTY
8MM SQUARE
COOKING GRATES

LED LIGHTS
OVER EACH KNOB

FLAME THROWER
IGNITION

Estate BUILT-IN GRILL

EST36-FR

EST42-FR

Estate FREESTANDING GRILL

ESTFS36-FR

ESTFS42-FR

Features:

- »#304 Stainless Steel Construction
- »18-Gauge Double-Lined Hood w/ Spring Assist
- »#304 Stainless Steel Full-Width Hood Handle
- »Total BTUs
 - 36" - 90,000 BTU
 - 42" - 90,000 BTU
- »Total Cooking Surface Sq In:
 - 36" - 920"
 - 42" - 1,083
- »12,000 BTU Infrared Back Burner
- »26,000 BTU Stainless Steel U-Tube Burners
- »Heavy-Duty 8mm Square Cooking Grates
- »Flame Thrower Ignition
- »Interior Halogen Cooking Lights
- »LED Lights Over Each knob
- »Heat Zone Separators
- »Easy-Clean Briquette System
- »Built-In Rotisserie Spit Storage
- »Built-In and Cart Models Available
- »Tested to the ANSI Z21.58 / CGA 1.6
- »Built, Factory Tested, and Serviced in the USA
- »Gold Standard Lifetime Warranty
- »Made in the USA

Included Items:

- »Weather-Proof Vinyl Grill Head Cover
- »Cleaning Care Kit

Freedom to Choose items:

- »Cast Red Brass H-Burners
- »100 lb. Capacity Rotisserie Kit
- »Stainless Steel Griddle Plate
- »Drop-In Infrared Sear Burner
- »Smoker Tray

Optional Accessories:

- »Estate Double Side Burner - ESTSB2
- »Estate Power Burner - ESTPB2
- »Grill Liner
- »Cart Model



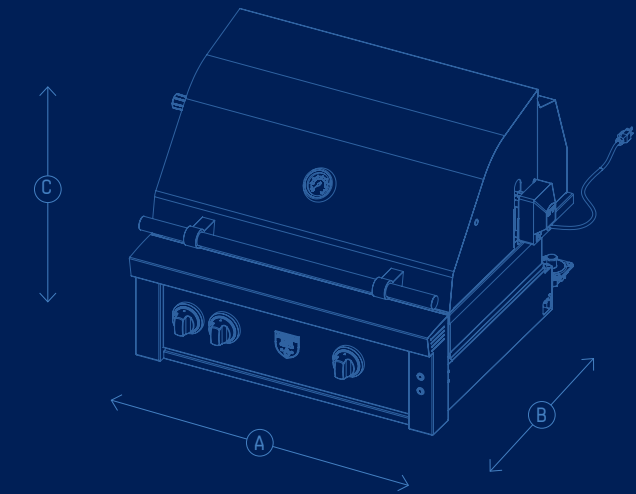
ESTATE FREEDOM 30

OVERALL DIMENSIONS:

- (A) Width: 30 inches
- (B) Depth: 29.61 inches
- (C) Height: 25.45 inches

CUTOUT DIMENSIONS:

- (A) Width: 28.75 inches
- (B) Depth: 21.625 inches
- (C) Height: 10.25 inches



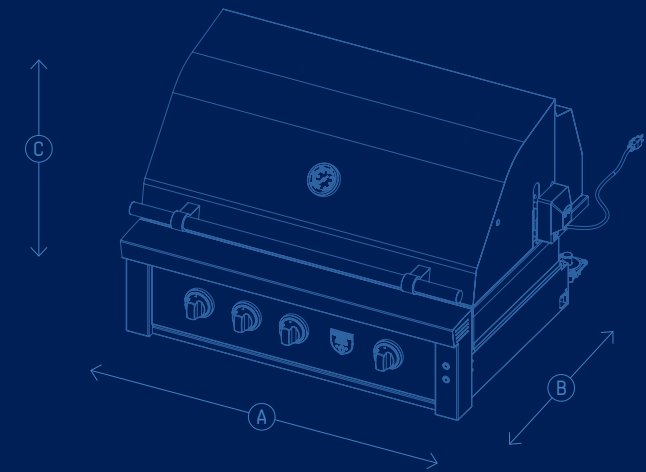
ESTATE FREEDOM 36

OVERALL DIMENSIONS:

- (A) Width: 36 inches
- (B) Depth: 29.61 inches
- (C) Height: 25.45 inches

CUTOUT DIMENSIONS:

- (A) Width: 34.75 inches
- (B) Depth: 21.625 inches
- (C) Height: 10.25 inches



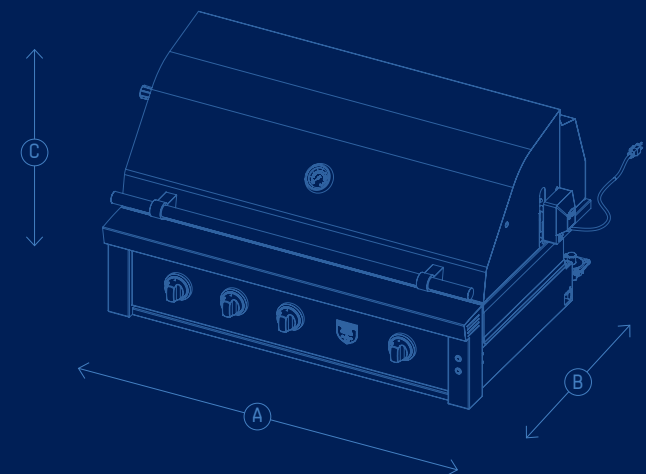
ESTATE FREEDOM 42

OVERALL DIMENSIONS:

- (A) Width: 42 inches
- (B) Depth: 29.61 inches
- (C) Height: 25.45 inches

CUTOUT DIMENSIONS:

- (A) Width: 40.75 inches
- (B) Depth: 21.625 inches
- (C) Height: 10.25 inches



ATLAS

Atlas Grill

We made the Atlas Grill to bring American-made performance and luxury at an accessible price point. Handcrafted to enhance your outdoor living spaces, it is a testament to American quality and innovation. This luxury gas grill line embodies durability, sophisticated design, matching accessories, and innovation, inviting you to cook well into the evening.

Available in built-in and freestanding formats, The Atlas Grill integrates seamlessly into your outdoor kitchen, promising style, functionality, and a genuine American-made grilling experience.





ATLAS GRILL



FEATURED 36" ATLAS BUILT-IN GRILL



FEATURED 36" ATLAS BUILT-IN GRILL

FIRE UP AN INSTANT CLASSIC

The Atlas Grill is a high-performance, luxury grill line made entirely in the USA. Elevate your outdoor lifestyle with its seamless design and superior performance. #304 stainless steel construction, interior and exterior lighting, and a dual-position warming rack system are just a few of the features that ensure you get the most out of your outdoor kitchen in style and functionality.

The Easy-Clean Briquette system helps distribute heat and preserve the stainless steel burners, while the square cooking grates increase the contact surface with food, adding beautiful grill marks and unparalleled flavor.



ATS36-B



US MADE
TEMP GAUGE

INTERIOR
HALOGEN LIGHTS

EASY-CLEAN BRIQUETTE
SYSTEM



HEAVY-DUTY
8MM SQUARE COOKING
GRATES

REMOVABLE,
DISHWASHER SAFE
DRIP TRAY



WARMING RACK STORAGE



#304 STAINLESS
STEEL FULL-WIDTH
HOOD HANDLE

18-GAUGE DOUBLE-LINED HOOD



TWO MULTI-POSITION
WARMING RACKS

#304 STAINLESS
STEEL CONSTRUCTION



FLAME THROWER IGNITION

18,000 BTU U-TUBE
BURNERS

LED LIGHTS
OVER EACH KNOB

Features:

- »#304 Stainless Steel Construction
- »18-Gauge Double-Lined Hood
- »#304 Stainless Steel Full-Width Hood Handle
- »18,000 BTU U-Tube Burners
- »Heavy-Duty 8mm Square Cooking Grates
- »Flame Thrower Ignition
- »Interior Halogen Cooking Lights
- »LED Lights Over Each Knob
- »Two Multi-Position Warming Racks
- »Easy-Clean Briquette System
- »Built-In and Cart Models Available
- »Weather-Proof Vinyl Grill Head Cover
- »Removable, Dishwasher Safe Drip Tray
- »Warming Rack Storage
- »Built, Factory Tested and Serviced in the USA
- »853 sq in. Total Cooking Surface
- »54,000 Total BTUs
- »Gold Standard Lifetime Warranty
- »Made in the USA

OPTIONAL GRILL ACCESSORIES:

- »40 lb. Capacity Rotisserie Kit
- »Stainless Steel Griddle Plate
- »Smoker Tray
- »18,000 BTU Drop-In Sear Burner

OPTIONAL ISLAND ADD-ONS:

- »Atlas Double Side Burner - ATSSB2
- »Atlas Power Burner - ATSPB2
- »Grill Liner



OVERALL DIMENSIONS:

- (A) Width: 36 inches
- (B) Depth: 26.278 inches
- (C) Height: 25.95 inches

CUTOUT DIMENSIONS:

- (A) Width: 34 inches
- (B) Depth: 19.75 inches
- (C) Height: 10 inches



*Hand Crafted
in America*



FEATURED

42" ESTATE FREESTANDING GRILL



POWER & SIDE BURNERS



FEATURED MUSCLE POWER BURNER



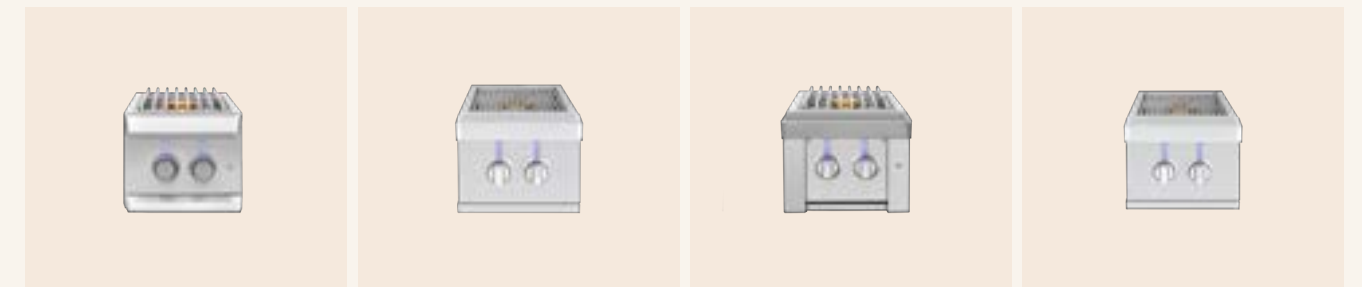
FEATURED ESTATE POWER BURNER

EXPAND YOUR COOKING REPERTOIRE

Level up your outdoor kitchen with American Made Grills' Power & Side Burners, the ultimate upgrade for outdoor kitchen enthusiasts. Engineered for versatility and precision, these burners expand your cooking capabilities beyond the grill. Boil noodles, simmer delicate sauces, or steam vegetables or shellfish right in your outdoor space. Our power burners are designed to fit seamlessly into any outdoor kitchen setup, offering robust construction and superior performance that stands up to the elements.

Whether you're hosting a summer barbecue or a gourmet meal outdoors, our Power & Side Burners ensure you have everything you need to easily create unforgettable dishes.

SIDE BURNERS



MUSCLE DOUBLE SIDE BURNER
MUSSB2

ENCORE DOUBLE SIDE BURNER
ENCSB2

ESTATE DOUBLE SIDE BURNER
ESTSB2

ATLAS DOUBLE SIDE BURNER
ATSSB2

POWER BURNERS



MUSCLE POWER BURNER
MUSPB2

ENCORE POWER BURNER
ENCPB2

ESTATE POWER BURNER
ESTPB2

ATLAS POWER BURNER
ATSPB2



FREESTANDING GRILLS



FEATURED 30" ESTATE FREESTANDING GRILL



FEATURED 54" MUSCLE FREESTANDING GRILL

NO ISLAND, NO PROBLEM

Discover the ultimate flexibility and style with our collection of Freestanding Grills, designed to complement each grill line. Crafted with pride in the USA, these carts are about maximizing your grilling experience when you don't have a grill island. Estate carts feature soft-close drawers, ample storage solutions, propane tank storage, and high-capacity shelving. Hybrid Grill Series carts come equipped with a unique combination of lockable wheels for stability, a large storage drawer with fuel dividers, additional accessory drawers, a tank pullout drawer, a practical folding shelf, and an integrated cutting board.

Constructed from durable stainless steel, these carts are the perfect foundation for any American Made Grill, offering convenience, organization, and a touch of elegance to your outdoor cooking adventures.



36" MUSCLE FREESTANDING
MUSFS36



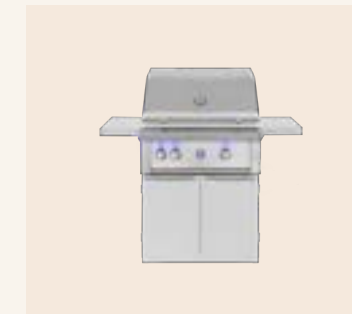
54" MUSCLE FREESTANDING
MUSFS54



36" ENCORE FREESTANDING
ENCFS36



54" ENCORE FREESTANDING
ENCFS54



30" ESTATE FREESTANDING
ESTFS30



36" ESTATE FREESTANDING
ESTFS36



42" ESTATE FREESTANDING
ESTFS42



36" ATLAS FREESTANDING
ATSFS36



ESTATE GRILL

Freedom



FEATURED 36" ESTATE FREESTANDING GRILL



30" ESTATE FREESTANDING
ESTFS30-FR-NG
ESTFS30-FR-LP



36" ESTATE FREESTANDING
ESTFS36-FR-LP
ESTFS36-FR-NG



42" ESTATE FREESTANDING
ESTFS42-FR-LP
ESTFS42-FR-NG



FEATURED 42" ESTATE FREESTANDING GRILL



22" REFRIGERATION SERIES

Who wants to go inside on a beautiful day? The 22" Compact Refrigerator Series keeps drinks and ingredients refreshing and chilled with 4.1 cubic feet of storage, #304 stainless steel doors, locking doors, and automatic interior lighting.



FEATURES:

- Storage Capacity: 4.1 ft³
- Black Exterior & Interior Cabinet
- Black Wire Shelves (x4)
- Interior LED Light
- Full Range Mechanical Temperature Controls with 7 Settings
- Temperature Range:
0°C - 10°C / 32°F - 50°F
- 156 Can Capacity
- Energy Efficient Rating: DOE Household
- Trim Kit Available: RTK-22
- Certifications: ETL, DOE, CE

22" 4.1 Cu. OUTDOOR APPROVED COMPACT REFRIGERATOR

RFR-22S

- #304 Stainless Steel Reversible Door
- Locking Door

22" 4.1 Cu. DELUXE OUTDOOR APPROVED COMPACT REFRIGERATOR

RFR-22D / RFR-22D-R

- Upgraded Deluxe #304 Stainless Steel Door & Handle
- Right to Left Opening Door Model (RFR-22D-R)
- Locking Door



FEATURED

24" 5 Cu. OUTDOOR RATED REFRIGERATOR WITH GLASS SHELVES



FEATURED

22" 4.1 Cu. DELUXE OUTDOOR APPROVED COMPACT REFRIGERATOR

OUTDOOR RATED REFRIGERATION

More ways to stay frosty on a summer day, from the convenient double door to the slim 15" refrigerator.

FEATURES:

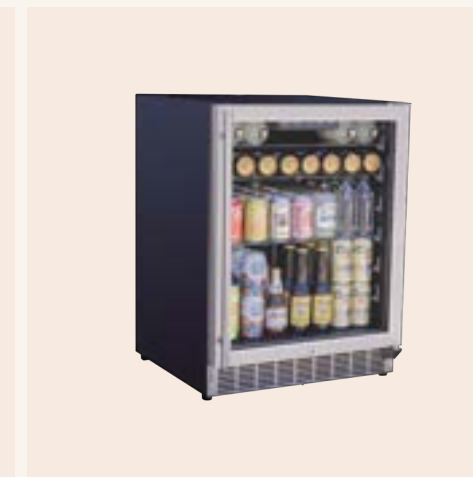
- #304 Stainless Steel Door & Handle
- UL Rated for Outdoor Use
- Locking Door (excludes RFR-24DR2-A)
- Interior LED Lighting
- Front Venting
- Auto-Defrost
- Self-Closing Doors (excludes RFR-24DR2-A)
- Electronic Temperature Controller w/ Digital Display
- Built-In Design
- Commercial & Residential Compliant
- Anti-Vibration System
- Certifications: ETL, DOE, CE



24" 5 Cu. OUTDOOR RATED DOUBLE DRAWER REFRIGERATOR

RFR-24DR2-A

- 114 Can Capacity
- 32°F - 72°F Temperature Range
- Black Interior Cabinet w/ Stainless Steel Drawers
- Soft-Closing Drawers



24" 5 Cu. OUTDOOR RATED REFRIGERATOR WITH GLASS DOOR

RFR-24G

- 161 Can Capacity
- 32°F - 72°F Temperature Range
- Glass Shelves (x3)
- Black Exterior & Interior Cabinet
- Triple-Glazed, Tinted Glass Door



24" 5 Cu. OUTDOOR RATED REFRIGERATOR

RFR-24S-A / RFR-24S-AR

- 161 Can Capacity
- Glass Shelves (x3)
- 32°F - 72°F Temperature Range
- Black Exterior & Interior
- Right to Left Opening Door Model (RFR-24S-AR)



15" 3.2 Cu. OUTDOOR RATED REFRIGERATOR

RFR-15S

- 32°F - 50°F Temperature Range
- Black Interior



15" 3.2 Cu. OUTDOOR RATED REFRIGERATOR WITH GLASS DOOR

RFR-15G

- 32°F - 50°F Temperature Range
- Black Interior
- Triple-Glazed, Tinted Glass Door

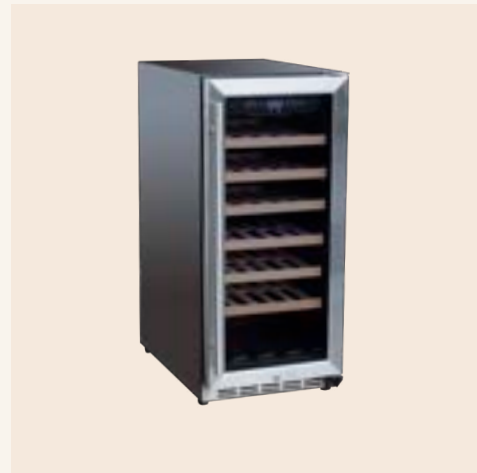


OUTDOOR RATED
WINE COOLERS

Bring luxury cold storage to your patio with our sleek and beautiful wine coolers.

FEATURES:

- Double-Glazed, Self-Closing, Tinted Glass Door w/ #304 Stainless Frame & Handle
- UL Rated for Outdoor Use
- Locking Doors
- Adjustable, Removable Wine Racks
- Interior LED Lighting
- Front Venting
- Auto-Defrost
- Electronic Temperature Controller w/ Digital Display
- Built-In Design
- Commercial & Residential Compliant
- Anti-Vibration System
- Certifications: ETL, DOE, CE



15" 3.2 Cu. OUTDOOR RATED SINGLE ZONE WINE COOLER

RFR-15W

- 28 Bottle Capacity
- 41°F - 64°F Temperature Range



15" 3.2 Cu. OUTDOOR RATED DUAL ZONE WINE COOLER

RFR-15WD

- 20 Bottle Capacity
- Upper Temperature Range: 41°F-50°F
- Lower Temperature Range: 50°F-64°F

OUTDOOR RATED
KEGERATORS

Outdoor refreshment on tap in your own backyard! This isn't your grandpa's wet bar.

FEATURES:

- #304 Stainless Steel Door, Body & Handle
- UL Rated for Outdoor Use
- Locking Doors
- Interior LED Lighting
- Front Venting
- Auto-Defrost
- Electronic Temperature Controller w/ Digital Display
- Built-In Design
- Self-Closing Door
- Commercial & Residential Compliant
- Anti-Vibration System
- Certifications: ETL, DOE, CE



24" 6.6 Cu. DELUXE OUTDOOR RATED KEGERATOR (NO TAP / SINGLE TAP / DOUBLE TAP)

RFR-24DK / RFR-24DK1 / RFR-24DK2

- Available in Single or Double Tap Towers
- 32°F - 50°F Temperature Range
- Right to Left Opening Door Models (RFR-24DK-R / RFR-24DK1-R / RFR-24DK2-R)



SINGLE KEG TAP FOR KEGERATOR

RFR-TAP-1

- Fits RFR-24DK
- Includes Tap Tray, Single Hose, CO2 Kit (Tank & Regulator)



DOUBLE KEG TAP FOR KEGERATOR

RFR-TAP-2

- Fits RFR-24DK
- Includes Tap Tray, Two Hoses, CO2 Kit (Tank & Regulator)



FEATURED

DOUBLE TAP KEGERATOR

OUTDOOR RATED
ICE MAKER



15" 55 LB. OUTDOOR RATED NUGGET ICE MAKER

IM-15N

- Daily Ice Output: 50 lbs.
- Storage Capacity: 25 lbs.
- Anti-Microbial Filtration System - Eliminates 99.9% of all Bacteria, Mold, Viruses, Odors
- Temperature Control Not Necessary
- Magnetic Sealing Gasket
- Black Steel Body w/ #304 Stainless Steel Door & Handle



FEATURED

54" ENCORE FREESTANDING GRILL



SINKS AND BAR

Take your outdoor kitchen to the next level with our Beverage Center and selection of sinks. Complete with an ice compartment, sink, towel holder, speed rail with condiment tray, and built-in bottle opener, the Beverage Center will make you the best host in the neighborhood. Don't worry, when the sun goes down the LEDs will light it up and keep the party going!



15" DROP-IN SINK & HOT/COLD FAUCET
SNK-15D



19" UNDERMOUNT SINK & 360° HOT/COLD FAUCET
SNK-19U



FARMHOUSE SINK
SNK-32FH-P

- Hot & Cold Pull Down Faucet
- Strainer
- Sink Grate
- Noise Cancelling Padding
- Built-In Drain & Plug



30" BEVERAGE & PREP STATION
BC-30L

- 40 lb. Ice Compartment
- LED Front Panel Lighting
- Sink & Faucet Combo
- 3 Condiment Trays
- Built-In Bottle Opener & Towel Rack
- Built-In Drain & Plug

ICE CHESTS

With our grills heating things up, we have just what you need to keep cool. Choose between two sizes to optimize your serving station. With up to 40 lbs. of ice capacity, load them up with refreshments, snacks, or ingredients to make for a good time.



17" 1.7 Cu. DROP-IN COOLER
(20LB ICE CAPACITY)
IC-17

- Built-In Drain & Plug



28" 2.7 Cu. DROP-IN COOLER
(40LB ICE CAPACITY)
IC-28

- 3 Condiment Trays
- Built-In Drain & Plug

ACCESS DOORS

Quality is in the details. Our doors give you matching, sleek, and convenient access to your island utilities and grill, featuring #304 stainless steel body & handles, hingeless design, heavy-duty flange, reversible door mounting (excludes vented doors) and magnetic latches.



33" VENTED DOUBLE ACCESS DOOR
DD-33V



DOUBLE ACCESS DOOR (26", 30", 33", 36", 39", 42", 45")
DD-26 / DD-30 / DD-33
DD-36 / DD-39 / DD-42
DD-45



VERTICAL ACCESS DOOR (16", 18", 20")
DV-16 / DV-18 / DV-20



HORIZONTAL ACCESS DOOR (22", 27")
DH-22 / DH-27



18" VENTED VERTICAL ACCESS DOOR (LEFT HINGE)
DV-18VL



18" VENTED VERTICAL ACCESS DOOR (RIGHT HINGE)
DV-18VR

DOOR/DRAWER COMBOS

These hingeless components with #304 stainless steel handles are specifically designed for versatility. Whether you need a simple storage configuration, LP tank drawer, paper towel holder, or weather-resistant dry storage shelving, these #304 stainless steel combos give you the options you need for a perfect outdoor setup.



2-DRAWER & ACCESS DOOR COMBO (30", 33", 36", 42")
DC2-30 / DC2-33
DC2-36 / DC2-42



33" 3-DRAWER & ACCESS DOOR COMBO
DC3-33



33" 2-DRAWER & TRASH OR LP TANK PULLOUT DRAWER COMBO
DC2-33LP



17" VERTICAL 2-DRAWER & PAPER TOWEL HOLDER COMBO
TDC-17



STORAGE DRAWERS

Our line of drawers are feature-packed storage options that ensure you get exactly what you need in your backyard set up. These drawers feature #304 stainless steel body & handles, heavy-duty flanges and soft closing drawers.



17" SINGLE DRAWER
DR1-17

17" DOUBLE DRAWER
DR2-17

17" TRIPLE DRAWER
DR3-17

20" VENTED LIQUID PROPANE
TANK OR TRASH DRAWER
DR1-28LP



20" TRASH & RECYCLING 2-BIN
PULLOUT DRAWER
TD2-28

17" PAPER TOWEL HOLDER
TH-17

26" UTENSIL DRAWER
DR1-26U



36" WARMING DRAWER
WD-36

32" DOUBLE HORIZONTAL DRAWER
DR2-32H

26" LARGE STORAGE DRAWER
DR1-36

DRY STORAGE

Get indoor functionality outdoors with our dry storage pantries, offering heavy-duty, weather-resistant seals to lock out moisture and critters for good. These pantries feature #304 stainless steel body & handles, hingeless design, heavy-duty flanges, and magnetic latches.



36" 2-DRAWER DRY STORAGE PANTRY
& ENCLOSED CABINET COMBO
DP-36DC

36" 2-DRAWER DRY STORAGE
PANTRY & ACCESS DOOR COMBO
DP-36AC

MASONRY STORAGE

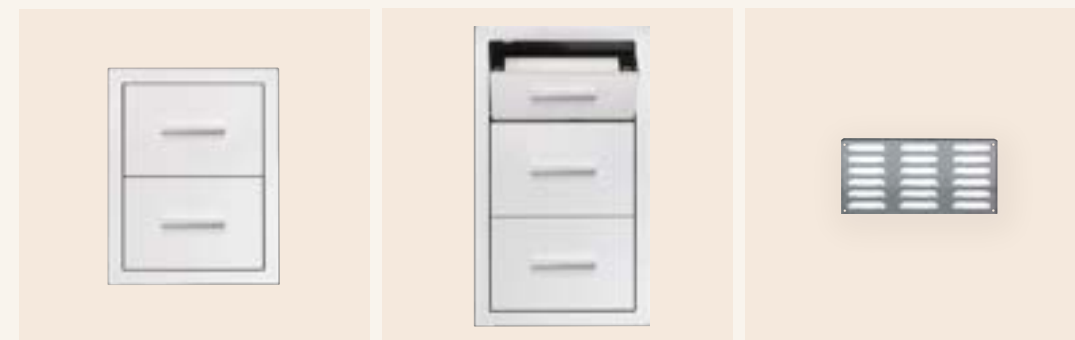
Our hingeless line of Masonry Storage, with #304 stainless steel body & handles and reversible door mounting, is perfect for islands with stone or brick finishes. These #304 stainless steel components can also be used to add an attractive contrast to any island with stucco or Ameristone finishes.



27" MASONRY HORIZONTAL
ACCESS DOOR
DH-27M

MASONRY DOUBLE
ACCESS DOOR (33", 45")
DD-33M / DD-45M

33" MASONRY 2-DRAWER
& ACCESS DOOR COMBO
DC2-33M



17" MASONRY DOUBLE DRAWER
DR2-17M

17" MASONRY VERTICAL 2-DRAWER
& PAPER TOWEL HOLDER COMBO
TDC-17M

12" MASONRY ISLAND VENT PANEL
IV-12M

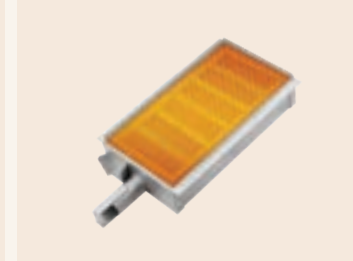


DROP-IN IR SEAR BURNERS

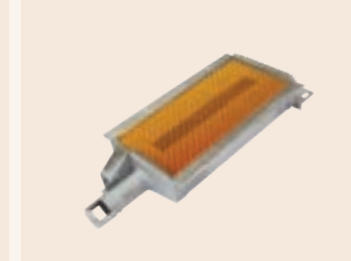
Get that fine restaurant quality sear! Our sear burners can be swapped into nearly any burner position, giving you focused high heat, fast searing to lock in moisture, and a customizable cooking experience.



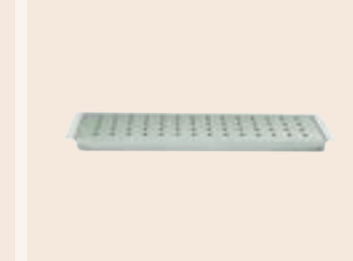
MUSCLE & ENCORE DROP-IN INFRARED SEAR BURNER
IRB-AMG
BTU: 22,000



ESTATE DROP-IN INFRARED SEAR BURNER
IRB-EST
BTU: 26,000



ATLAS DROP-IN INFRARED SEAR BURNER
IRB-ATS
BTU: 18,000



ESTATE & ATLAS SMOKER TRAY
SSMK-EST / SSMK-ATS

ISLAND ACCESSORIES

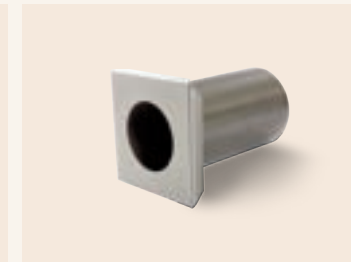
Trust us to focus on the smallest details for a sophisticated, polished outdoor kitchen. From precision trimming for your refrigerator cutout to a sealed umbrella hole, our stainless steel accessories ensure quality and elegance in every aspect.



REFRIGERATOR TRIM
15"/22"/24" SERIES
RTK-15 / RTK-22
RTK-24SM / RTK-24LG



14"X5" ISLAND VENT PANEL
IV-14



1.75" / 2" UMBRELLA COUNTERTOP MOUNTING STANCHION
US-1 / US-1L



12"X 6" ISLAND VENT PANEL W/ MASONRY FRAME RETURN
IV-12M

GRILL & SIDE BURNER LINERS

Safely create your outdoor kitchen using the material of your choice. Our #304 stainless steel fitted liners provide an inch of double-walled insulation that blocks the heat from reaching combustible surfaces or framing such as wood or plastic.



GRILL LINER
GL-AMG36 / GL-AMG54 / GL-AG30
GL-AG36 / GL-AG42 / GL-ATS36



SIDE & POWER BURNER LINER
GL-APB2 / GL-ASB2 / GL-ATSSB2

GRIDDLE

The #304 stainless steel griddle plate with 212 sq. inches of cooking surface is perfect for upgrading your grilling options!

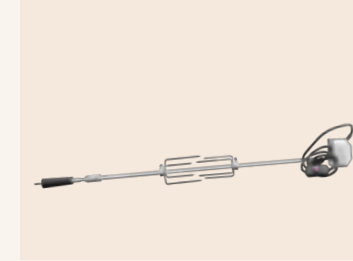


14" GRIDDLE PLATE
GP-14

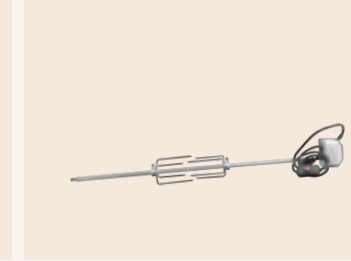
*ACCESS MAY DIFFER BASED ON MODEL

ROTISSERIE KITS

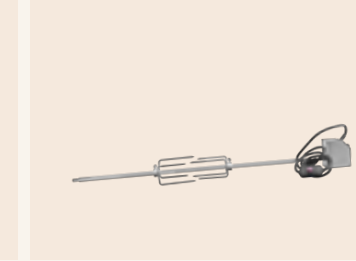
Great flavor on repeat. Our Rotisserie Kits have everything you need to cook a whole chicken, turkey, loin, or roast like a pro. Each kit has a weather-protected stainless steel motor, fork set, and a spit rod specific to your grill model.



ESTATE 40 LB ROTISSERIE KIT
ROTKIT-EST30 / ROTKIT-EST36
ROTKIT-EST42



ATLAS 40 LB ROTISSERIE KIT
ROTKIT-ATS36



AMG 100 LB ROTISSERIE KIT
ROTKIT-AMG36 / ROTKIT-AMG54

APPLIANCE COVERS

Regular cleaning and keeping your appliances covered are the best ways to ensure they last for years. Protect your outdoor kitchen appliances with our fitted appliance covers. Each cover is made of heavy-duty PVC, 100% water-resistant, UV-protected to prevent fading, custom fitted, and features soft flannel backing (to keep your steel scratch-free). Covers are available for built-in and freestanding grills, and side and power burners.



GRILL COVER
GRILLCOV-AMG36 / GRILLCOV-AMG54 / GRILLCOV-EST30D
GRILLCOV-EST36D / GRILLCOV-EST42D / GRILLCOV-ATS36D



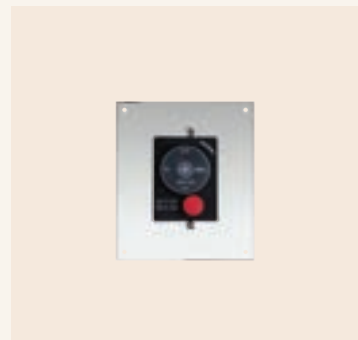
CART COVER
CARTCOV-AMG36 / CARTCOV-AMG54 / CARTCOV-EST30D
CARTCOV-EST36D / CARTCOV-EST42D / CARTCOV-ATS36D



SIDE & POWER BURNER COVER
GRILLCOV-APB2 / GRILLCOV-EST2B
GRILLCOV-ATS2B

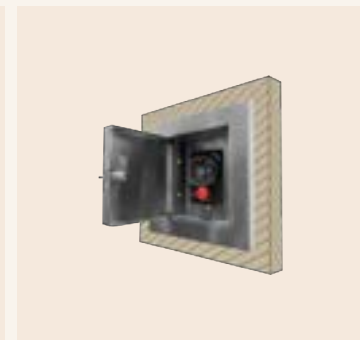


GAS TIMER / MOUNTING PLATE



GAS TIMER WITH EMERGENCY SHUTOFF / MOUNTING PLATE
ESTOP1-0H

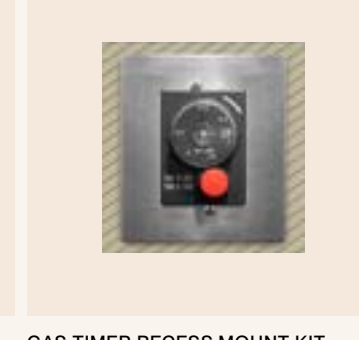
*MOUNTING PLATE SOLD SEPARATELY



GAS TIMER LOCKING CABINET
ESTOP-LC-KIT / ESTOP-RM-KIT



EXPANDABLE MASONRY GAS TIMER KIT
ESTOP-CP-KIT



GAS TIMER RECESS MOUNT KIT
ESTOP-RM-KIT

WIND GUARDS



36" STAINLESS STEEL WIND GUARD
(FITS 26"-32" GRILLS)

SSWG-36



48" STAINLESS STEEL WIND GUARD
(FITS 36"-44" GRILLS)

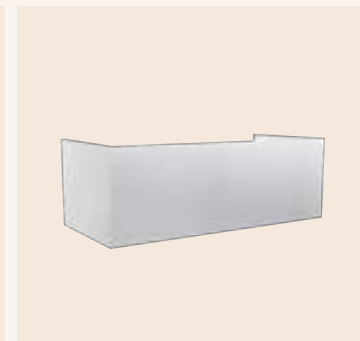
SSWG-48

VENT HOODS



VENT HOODS (36", 42", 48", 60")

VH36-2 / VH42-2
VH48-2 / VH60-2



12" DUCT COVER (36", 42", 48", 60")

VH36-2-DC / VH42-2-DC
VH48-2-DC / VH60-2-DC



SPACER TEMPLATE

VH36-2-SPT / VH42-2-SPT
VH48-2-SPT / VH60-2-SPT

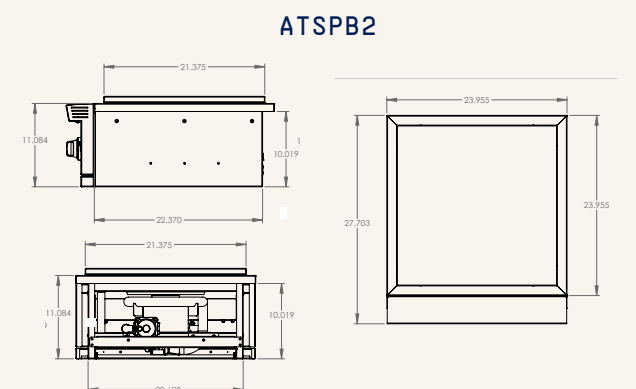
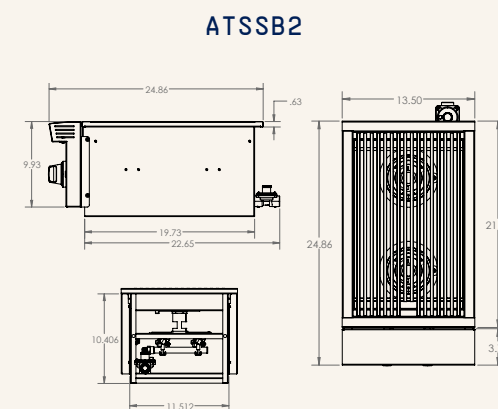
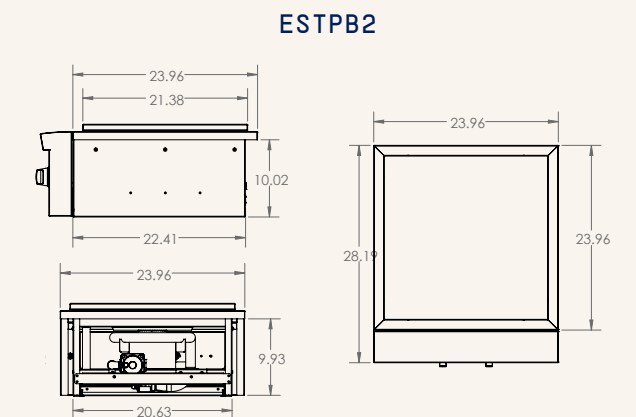
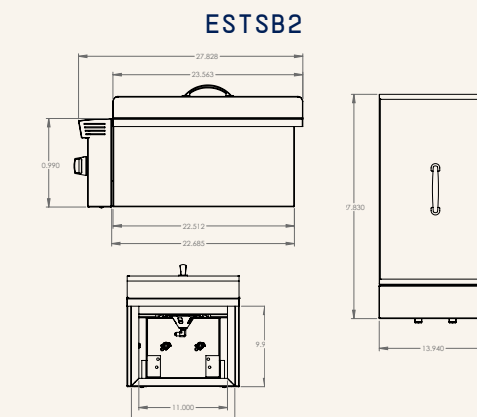
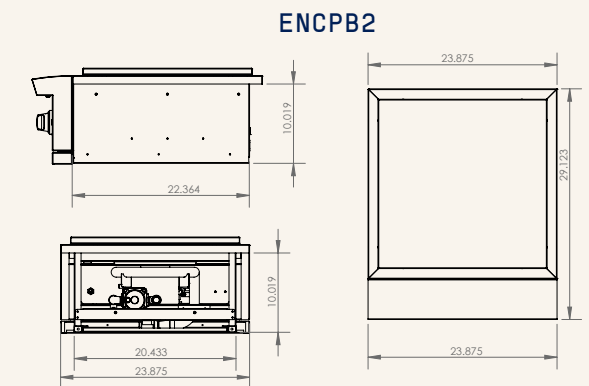
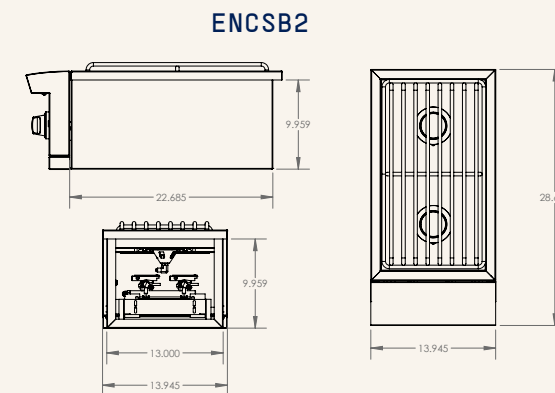
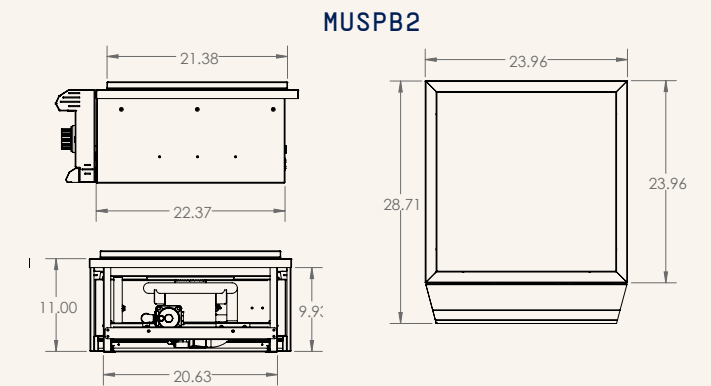
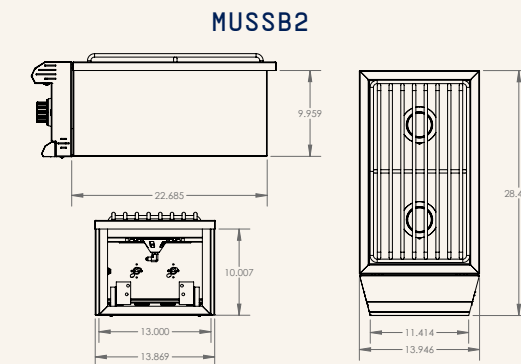


SPACER BRACKETS (4", 8")

VH36-2-SP4 / VH36-2-SP8
VH42-2-SP4 / VH42-2-SP8
VH48-2-SP4 / VH48-2-SP8
VH60-2-SP4 / VH60-2-SP8

PRODUCT DIMENSIONS

TO VIEW OUR RECOMMENDED CUTOUT DIMENSIONS, SCAN THE QR CODE





SCAN THIS QR CODE TO SEE
WARRANTY DETAILS

AMERICAN*MADE*GRILLS

AMERICANMADEGRILLS.COM

VER. 062325
POP-AMG-CATALOG-2025